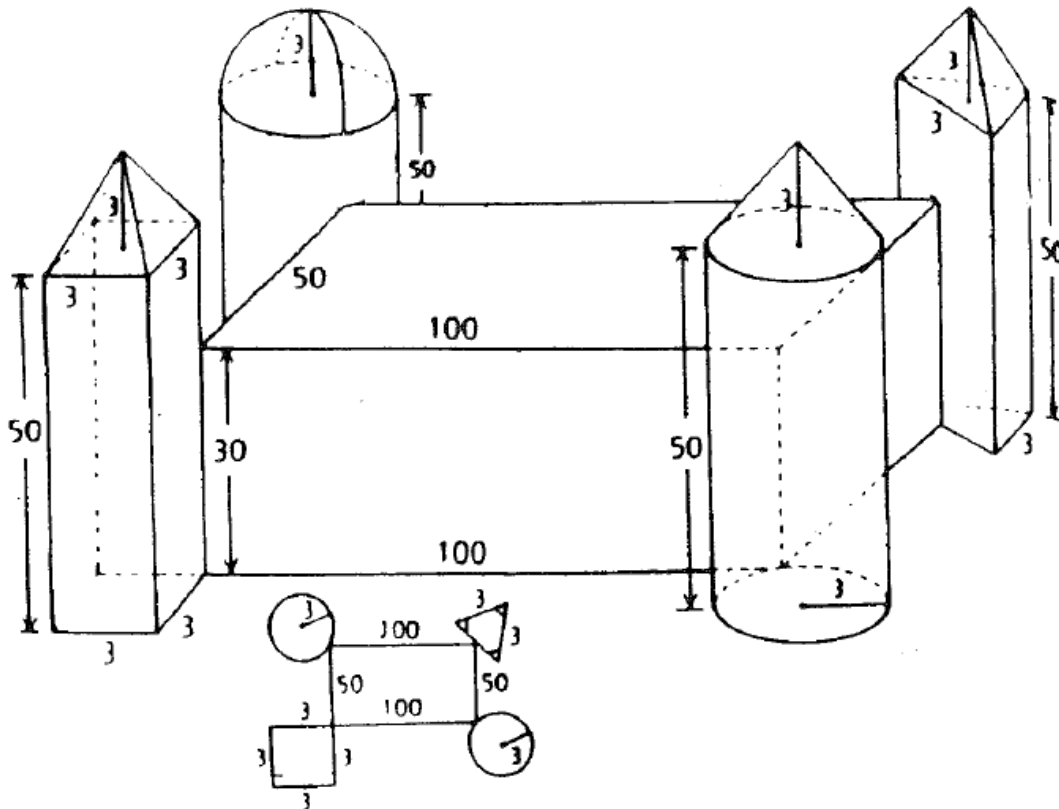


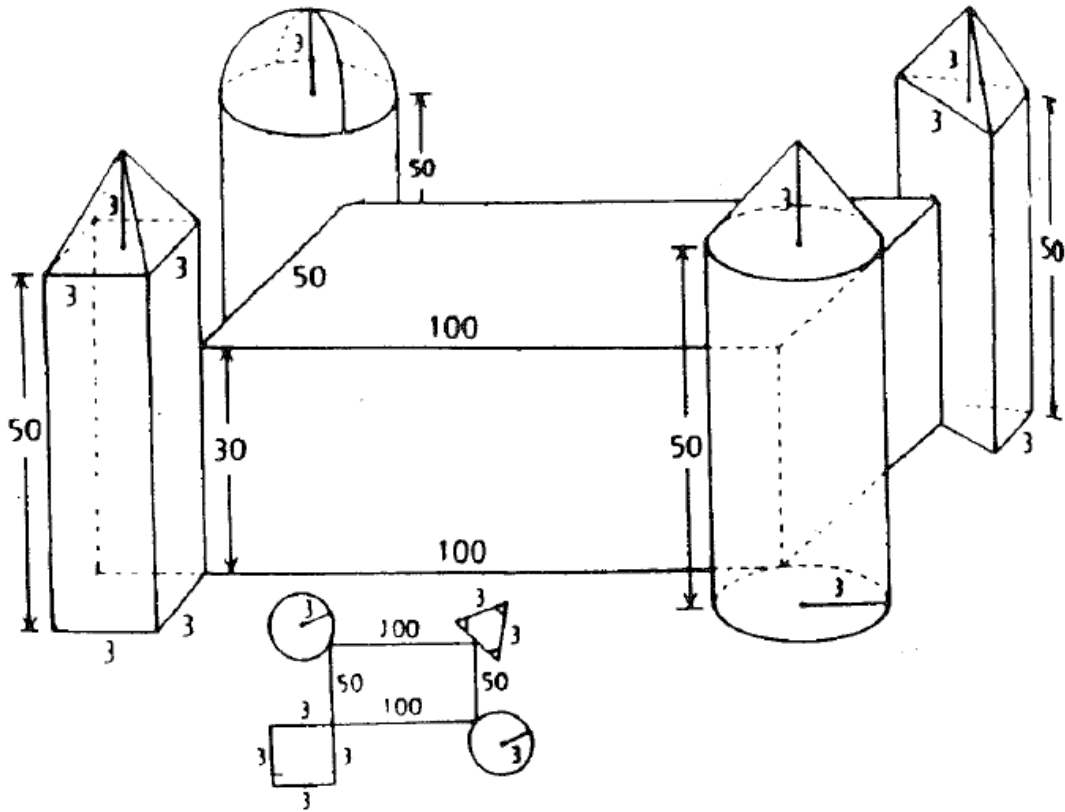
9) Find the total surface area of all of the exposed surfaces of the castle.



Solution _____

Due _____

10) Find the volume of the castle.



Solution _____

Due _____